

**MOTOR SPECIFICATION SHEET**

MODEL : SF-JR 5HP 2P (LT)

USED FOR : STANDARD

| DESCRIPTION                      | DETAIL  |      |      |      |      |
|----------------------------------|---|------|------|------|------|
| PHASE                            | 3   |      |      |      |      |
| MODEL NAME                       | SF-JR   |      |      |      |      |
| RATED OUTPUT, HP (kW)            | 5 (3.7)   |      |      |      |      |
| POLE                             | 2   |      |      |      |      |
| CODE                             | MEATH CODE : 1M002F-200370JRFY0                     |      |      |      |      |
| OUTLINE DRAWING NO.              | OMM14O016-D   |      |      |      |      |
| RATED VOLTAGE (V)                | 220   | 380  | 415  | 220  | 440  |
| RATED FREQUENCY (Hz)             | 50  | 50   | 50   | 60   | 60   |
| RATED CURRENT (A)                | 12.8  | 7.4  | 7.2  | 12.6 | 6.5  |
| RATED SPEED (min <sup>-1</sup> ) | 2890  | 2890 | 2910 | 3470 | 3490 |
| THERMAL CLASS                    | 155(F)  |      |      |      |      |
| RATING                           | S1 (CONTINUOUS)                                     |      |      |      |      |
| ENCLOSURE CONSTRUCTION           | TOTALLY ENCLOSED FAN COOLED                         |      |      |      |      |
| DEGREES OF PROTECTION            | IP55  |      |      |      |      |
| METHOD OF COOLING                | IC411   |      |      |      |      |
| FRAME NO.                        | 112M  |      |      |      |      |
| WEIGHT (kg)                      | 32  |      |      |      |      |
| STANDARD                         | IEC 60034-1, JEC-2137-2000                          |      |      |      |      |
| INSTALLATION                     | FOOT MOUNTED  |      |      |      |      |
| ROTATION                         | CCW (VIEWED FROM SHAFT END)                         |      |      |      |      |
| BEARING                          | LOAD SIDE : 6207ZZ                                  |      |      |      |      |
|                                  | OPPOSITE SIDE : 6206ZZ                              |      |      |      |      |
| BEARING GREASE                   | UREA GREASE   |      |      |      |      |
| NOISE (dB.A)                     | 80  |      |      |      |      |
| VIBRATION                        | V10   |      |      |      |      |
| CIRCUMSTANCE<br>CONDITION        | AMBIENT TEMPERATURE : -20 ~ +40°C                   |      |      |      |      |
|                                  | AMBIENT HUMIDITY : 95%RH OR LESS                    |      |      |      |      |
|                                  | ABOVE SEA LEVEL : 1000m OR LESS                     |      |      |      |      |
|                                  | ENVIRONMENT : NO BURSTING/EROSIVE GAS OR VAPOR      |      |      |      |      |
| COLOR                            | MUNSELL N5.5 (GRAY)                                 |      |      |      |      |
| TERMINAL BOX                     | NO. OF LEAD WIRES : 6                               |      |      |      |      |
|                                  | SOURCE CONNECTION : TERMINAL BLOCK                  |      |      |      |      |
| INSULATION RESISTANCE            | BY DC 500V MEGGER - ≥100MΩ                          |      |      |      |      |
| DIELECTRIC TEST                  | AC 50Hz 1800V - 1min. (Based on rated voltage 380V) |      |      |      |      |
| SHAFT SWING                      | ≤0.03mm   |      |      |      |      |
| MATERIAL                         | FRAME : STEEL PLATE                                 |      |      |      |      |
|                                  | BRACKET : ALUMINIUM                                 |      |      |      |      |
|                                  | SHAFT : CARBON STEEL                                |      |      |      |      |
|                                  | STATOR CORE : ELECTRICAL STEEL                      |      |      |      |      |
|                                  | WIRE : ENAMELLED COPPER MAGNET WIRE                 |      |      |      |      |
|                                  | INSULATOR : POLYESTER FILM SATURATED WITH RESIN     |      |      |      |      |
|                                  | VARNISH : EPOXY DENATURALIZATION POLYESTER          |      |      |      |      |
|                                  | ROTOR CORE : ELECTRICAL STEEL                       |      |      |      |      |
|                                  | CONDUCTOR : ALUMINIUM                               |      |      |      |      |
|                                  | TERMINAL BOX : STEEL PLATE                          |      |      |      |      |
|                                  | PAINTING : POLYURETHANE RESIN                       |      |      |      |      |
| PRODUCTION COUNTRY               | THAILAND  |      |      |      |      |

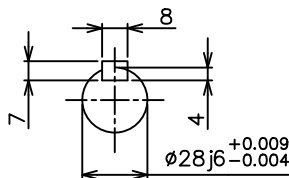
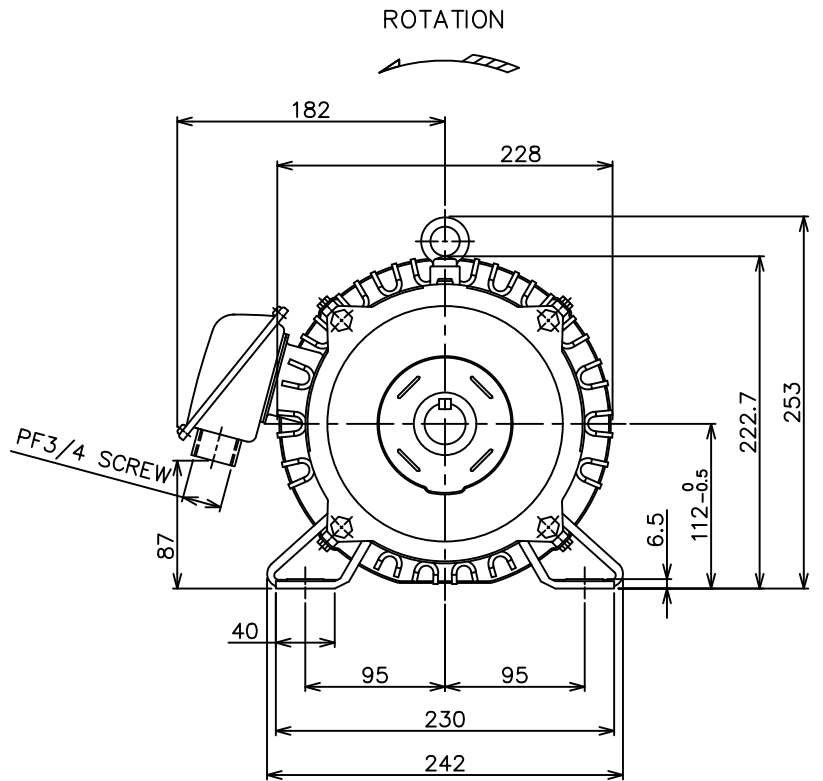
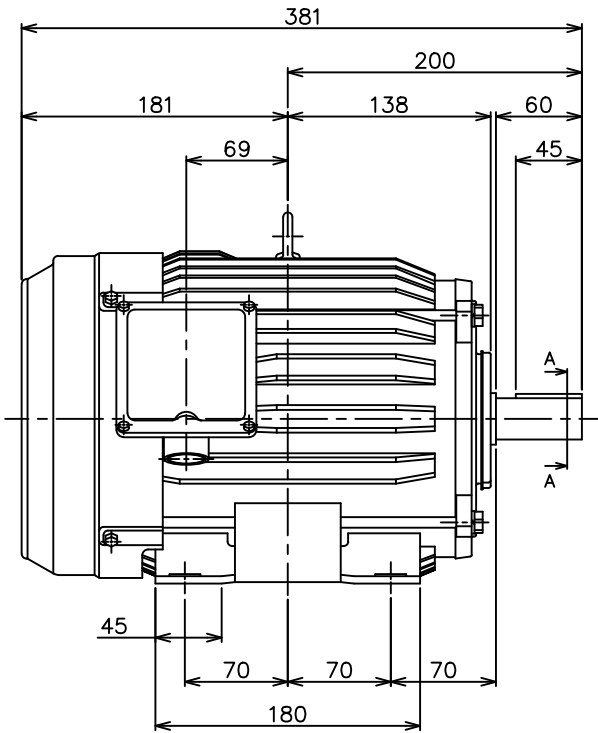
Specifications subject to change without notice.

|                                |  |  |  |  |
|--------------------------------|--|--|--|--|
| <b>SPECIFICATION SHEET NO.</b> |  |  |  |  |
| SS-M-1089-B                    |  |  |  |  |

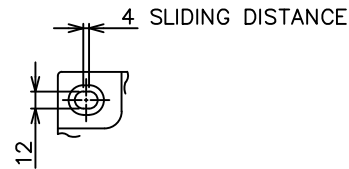
MODEL SF-JR THREE PHASE INDUCTION MOTOR OUTLINE DRAWING

TOTALLY ENCLOSED FAN COOLED  
 DEGREES OF PROTECTION IP55  
 DUST & WATER JET PROOF

CUSTOMER \_\_\_\_\_  
 USER \_\_\_\_\_  
 FOR \_\_\_\_\_  
 CUSTOMER'S ORDER NO. \_\_\_\_\_  
 QUANTITY \_\_\_\_\_  
 MFG. ORDER NO. \_\_\_\_\_



SECTION A-A

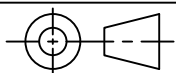


FRAME FOOT AS VIEWED FROM BELOW

| YOUR ORDER | FRAME SIZE | RATING     | TH. CLASS | AMB. TEMP. | BEARINGS  |           | COLOR               | DIRECTION OF ROTATION | NO. OF LEAD WIRES | REMARKS |
|------------|------------|------------|-----------|------------|-----------|-----------|---------------------|-----------------------|-------------------|---------|
|            |            |            |           |            | LOAD SIDE | OPP. SIDE |                     |                       |                   |         |
|            | 112M       | S1 (CONT.) | 155(F)    | 40°C       | 6207ZZ    | 6206ZZ    | GRAY (MUNSELL N5.5) | CCW                   | 6                 |         |

| YOUR ORDER | OUTPUT |     | POLES | VOLTS       | HERTZ | REMARKS |
|------------|--------|-----|-------|-------------|-------|---------|
|            | HP     | kW  |       |             |       |         |
|            | 5      | 3.7 | 2     | 220/380/415 | 50    | LT      |
|            |        |     |       | 220/440     | 60    |         |
|            | 5      | 3.7 | 4     | 220/380/415 | 50    | LT      |
|            |        |     |       | 220/440     | 60    |         |
|            | 3      | 2.2 | 6     | 220/380/415 | 50    | LT      |
|            |        |     |       | 220/440     | 60    |         |
|            | 5      | 3.7 | 2     | 380/415     | 50    | HT      |
|            |        |     |       | 380/440     | 60    |         |
|            | 5      | 3.7 | 4     | 380/415     | 50    | HT      |
|            |        |     |       | 380/440     | 60    |         |

MITSUBISHI ELECTRIC AUTOMATION (THAILAND) CO., LTD.



DIMENSION IN mm.  
 SCALE : NTS

OUTLINE DRAWING NO.

REV.

0 M M 1 4 0 0 1 6 D